

Alfred

LOUNGE CHAIR



Alfred is a versatile lounge chair. The round and classic design and the characteristic buttons in the backrest makes Alfred the perfect chair for creating that contemporary and elegant loungy feeling.

SOFACOMPANY

MATERIAL COMPONENTS

Frame: FSC wood 100%
Foam: High Resilience Fire Retardant Foam
Legs: Wood: FSC wood 100%
Surface meets requirements of.:
Reach, Painted: standard 16 CFR 1303 – PASS

SAFETY AND STABILITY

Our products are always developed and tested against EN 16139. 1 & 2.
EN-1021 1 & 2, BS5852 0 & 1, CA TB 117-2013.

PACKAGING MATERIAL & SHIPPING

The use of packaging materials are minimized without compromising protection of the product during transport. Chairs and sofas are protected in a cardboard box and when needed wrapped in a protective layer of recycled plastic. Shipping and transportation is in addition CO2 neutral.

PACKAGE MEASUREMENTS

63 x 88 x 79 cm, 27 kg

WARRANTY

Warranty against manufacturing defects (materials and craftsmanship) is standard as follows:

Frame: Lifetime
Foam: 5 years
Upholstery/Fabric: 5 years

Wear, tear and damages to the products are not covered under this warranty.

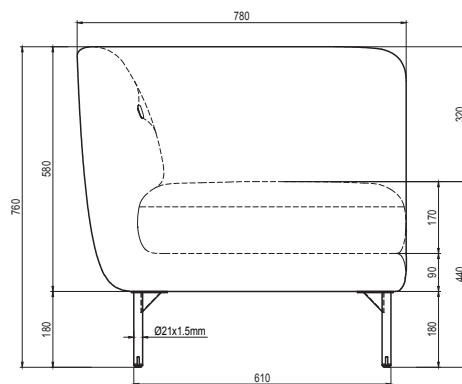
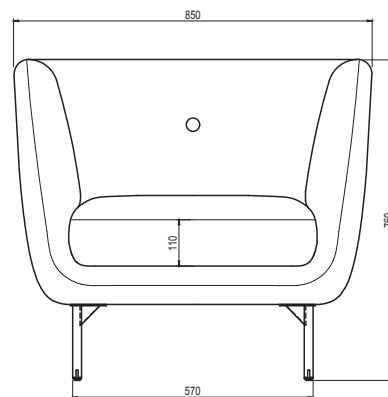
TEXTILE

See our textiles [here](#)

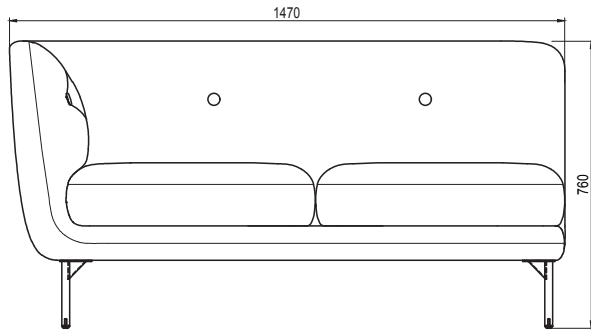
DESIGNER

SAYS WHO

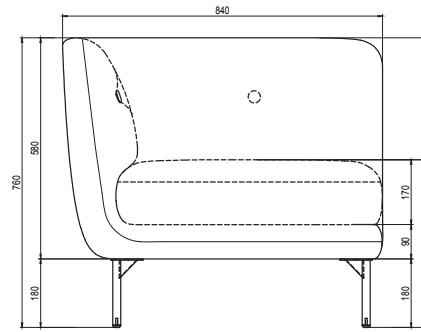
LOUNGE CHAIR



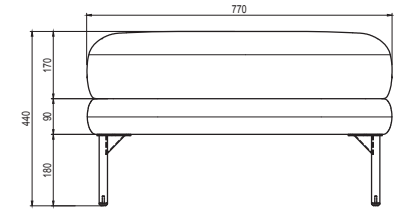
2-SEATER CORNER MODULE, LEFT



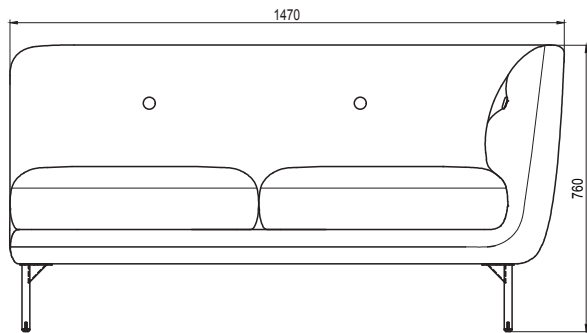
1-SEATER CORNER MODULE, LEFT



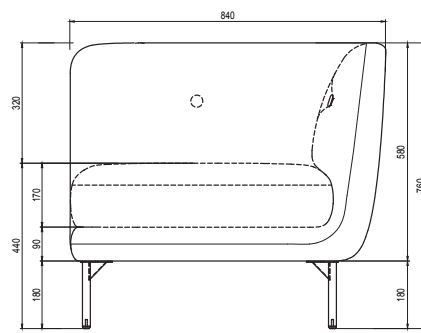
FOOTREST



2-SEATER CORNER MODULE, RIGHT



1-SEATER CORNER MODULE, RIGHT



1-SEATER MODULE

