

Astha

BENCH



Put some understated elegance into those hallways, receptions and other tiny places where space is limited but seatings necessary. The Astha bench will give you just that. Timeless elegance and super soft comfort in a practical size.

SOFACOMPANY

MATERIAL COMPONENTS

Frame: FSC wood 100%
Foam: High Resilience Fire Retardant Foam
Legs: Wood: FSC wood 100%
Surface meets requirements of.:
Reach, Painted: standard 16 CFR 1303 – PASS

SAFETY AND STABILITY

Our products are always developed and tested against EN 16139. 1 & 2.
EN-1021 1 & 2, BS5852 0 & 1, CA TB 117-2013.

PACKAGING MATERIAL & SHIPPING

The use of packaging materials are minimized without compromising protection of the product during transport. Chairs and sofas are protected in a cardboard box and when needed wrapped in a protective layer of recycled plastic. Shipping and transportation is in addition CO2 neutral.

PACKAGE MEASUREMENTS

32x163x56 cm, 21 kg

WARRANTY

Warranty against manufacturing defects (materials and craftsmanship) is standard as follows:

Frame: Lifetime
Foam: 5 years
Upholstery/Fabric: 5 years

Wear, tear and damages to the products are not covered under this warranty.

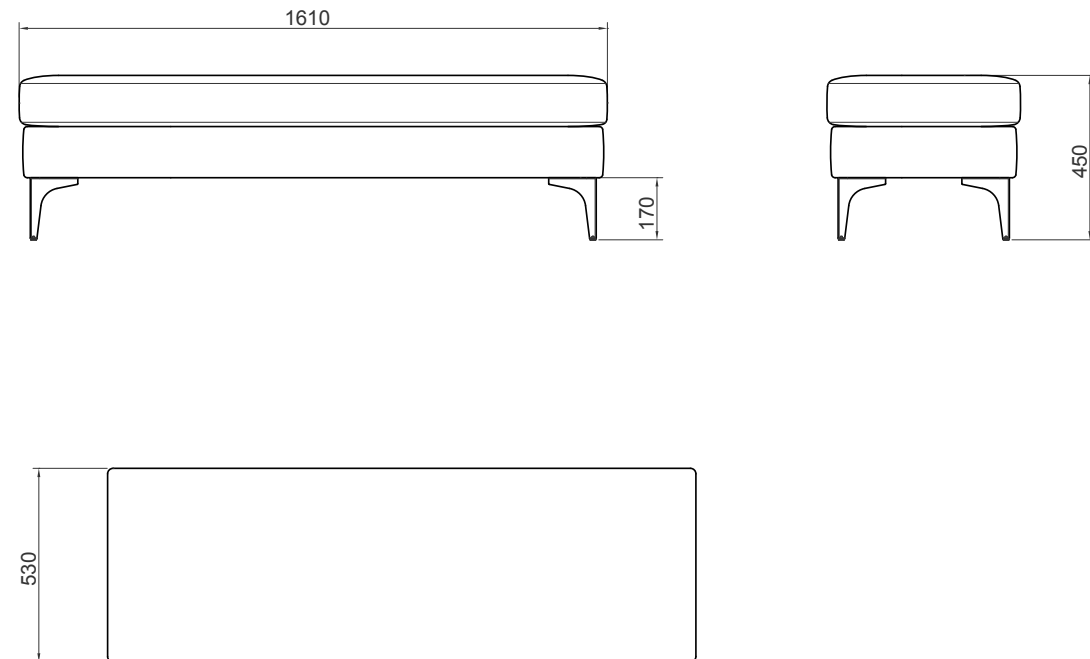
TEXTILE

See our textiles [here](#)

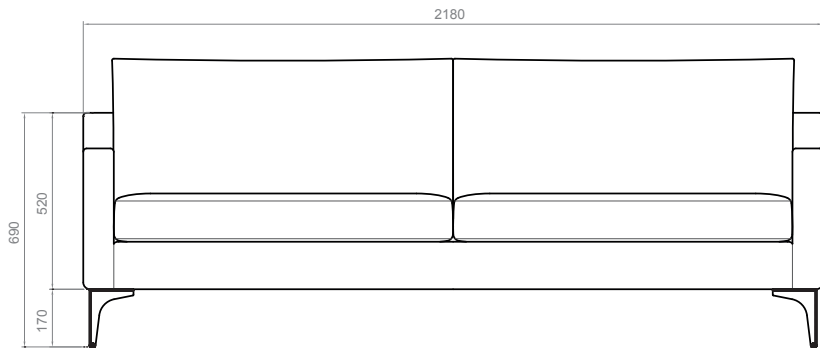
DESIGNER

Cathrine Rudolph

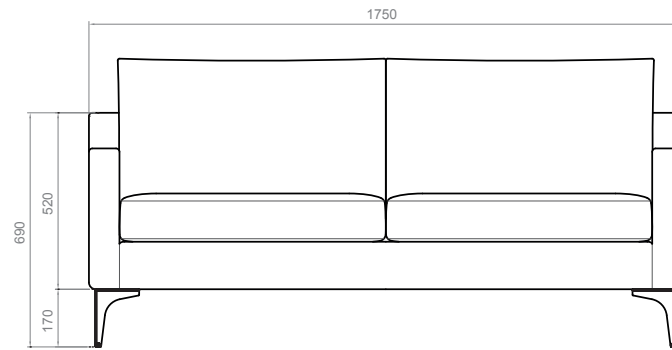
BENCH



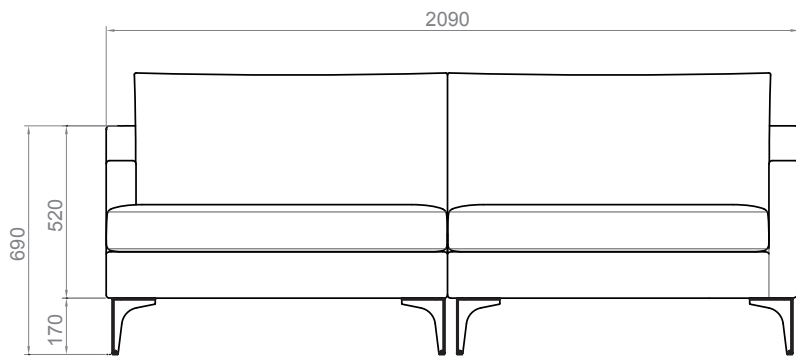
3-SEATER SOFA



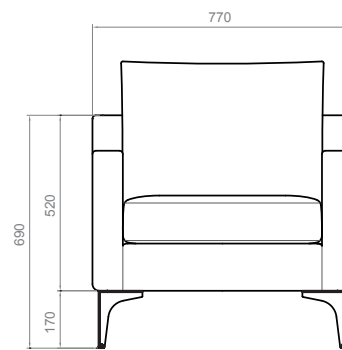
2-SEATER SOFA



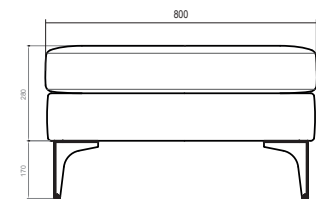
CHAISELONG SOFA



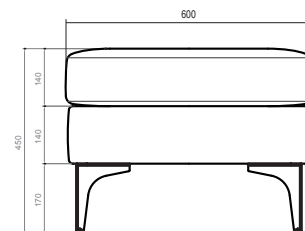
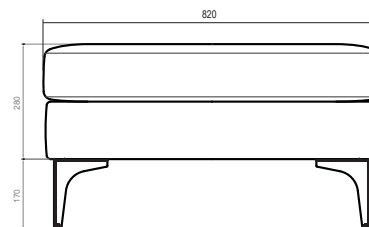
LOUNGE CHAIR



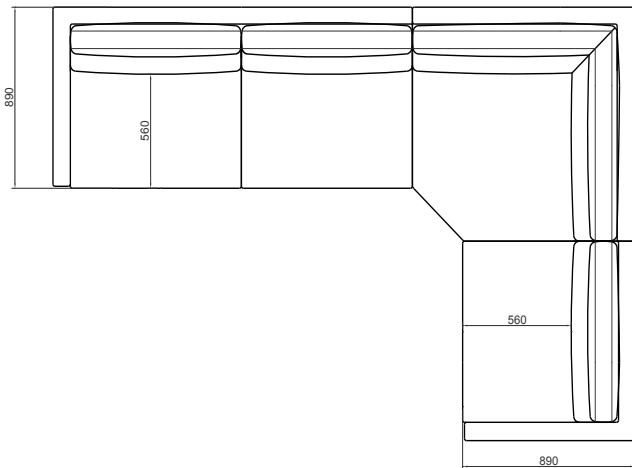
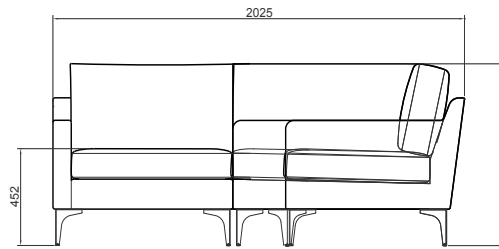
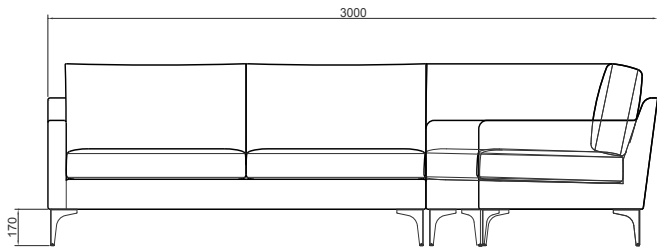
FOOTREST XL



FOOTREST



CORNER SOFA, RIGHT



CORNER SOFA, LEFT

