

# Alfred

1-SEATER CORNER MODULE, RIGHT



---

Alfred is a versatile modular sofa that can be combined to fit both large and smaller rooms. The expression is round and classic with details in the form of characteristic buttons in the backrest and simple metal legs, which combined makes the piece appear light and contemporary.

**SOFACOMPANY**

## MATERIAL COMPONENTS

Frame: FSC wood 100%  
Foam: High Resilience Fire Retardant Foam  
Legs: Wood: FSC wood 100%  
Surface meets requirements of.:  
Reach, Painted: standard 16 CFR 1303 – PASS

## SAFETY AND STABILITY

Our products are always developed and tested against EN 16139. 1 & 2.  
EN-1021 1 & 2, BS5852 0 & 1, CA TB 117-2013.

## PACKAGING MATERIAL & SHIPPING

The use of packaging materials are minimized without compromising protection of the product during transport. Chairs and sofas are protected in a cardboard box and when needed wrapped in a protective layer of recycled plastic. Shipping and transportation is in addition CO2 neutral.

## PACKAGE MEASUREMENTS

61 x 85 x 85 cm, 26 kg

## WARRANTY

Warranty against manufacturing defects (materials and craftsmanship) is standard as follows:

Frame: Lifetime  
Foam: 5 years  
Upholstery/Fabric: 5 years

Wear, tear and damages to the products are not covered under this warranty.

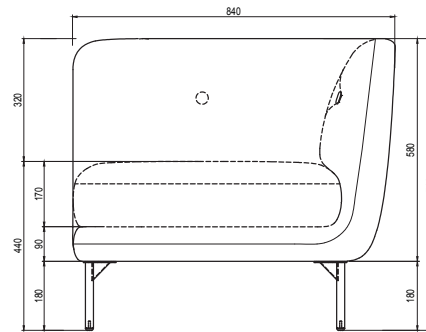
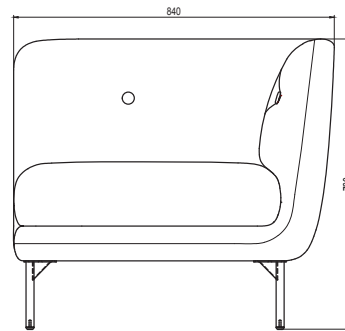
## TEXTILE

See our textiles [here](#)

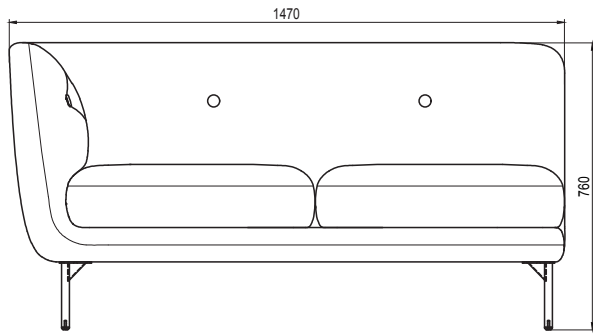
## DESIGNER

SAYS WHO

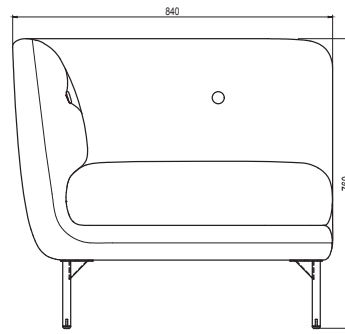
## 1-SEATER CORNER MODULE, RIGHT



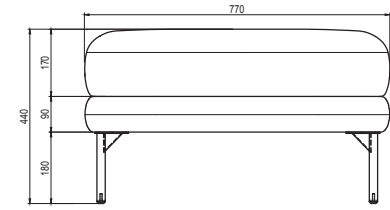
2-SEATER CORNER MODULE, LEFT



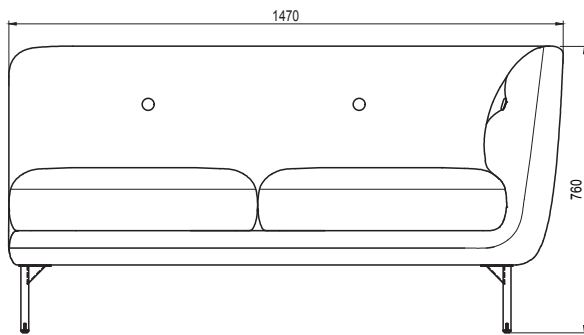
1-SEATER CORNER MODULE, LEFT



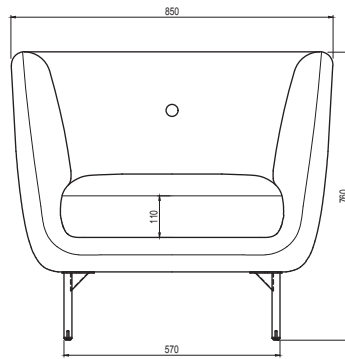
FOOTREST



2-SEATER CORNER MODULE, RIGHT



LOUNGE CHAIR



1-SEATER MODULE

