

Astha

FOOTREST



Our Astha footrest is a classic piece with a modern twist.
The footrest has a light mode of expression with soft
cushions and a simple and elegant design.

SOFACOMPANY

MATERIAL COMPONENTS

Frame: FSC wood 100%

Foam: High Resilience Fire Retardant Foam

Legs: Wood: FSC wood 100%

Surface meets requirements of.:

Reach, Painted: standard 16 CFR 1303 – PASS

SAFETY AND STABILITY

Our products are always developed and tested against EN 16139. 1 & 2.

EN-1021 1 & 2, BS5852 0 & 1, CA TB 117-2013.

PACKAGING MATERIAL & SHIPPING

The use of packaging materials are minimized without compromising protection of the product during transport. Chairs and sofas are protected in a cardboard box and when needed wrapped in a protective layer of recycled plastic. Shipping and transportation is in addition CO2 neutral.

PACKAGE MEASUREMENTS

32 x 93 x 62 cm, 13 kg

WARRANTY

Warranty against manufacturing defects (materials and craftsmanship) is standard as follows:

Frame: Lifetime

Foam: 5 years

Upholstery/Fabric: 5 years

Wear, tear and damages to the products are not covered under this warranty.

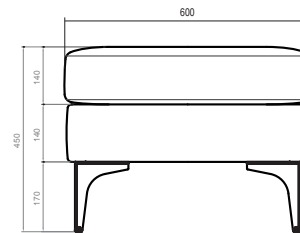
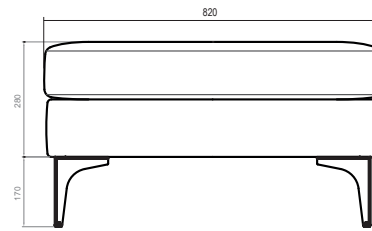
TEXTILE

See our textiles [here](#)

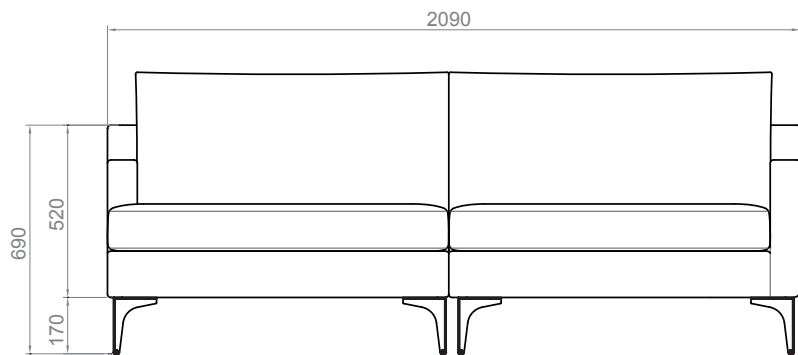
DESIGNER

Cathrine Rudolph

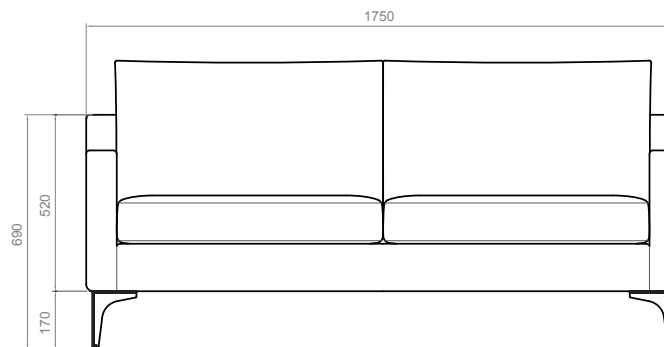
FOOTREST



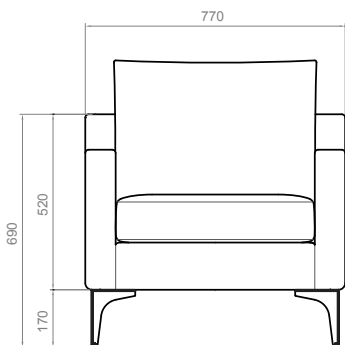
CHAISELONG SOFA



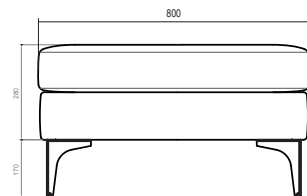
2-SEATER SOFA



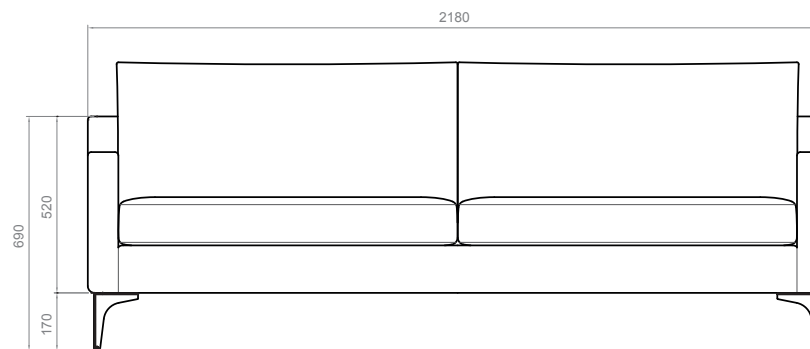
LOUNGE CHAIR



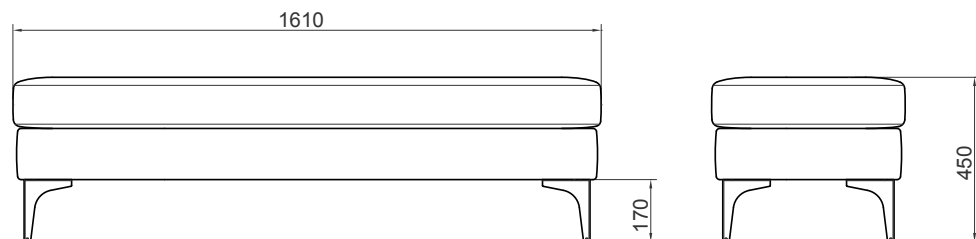
FOOTREST XL



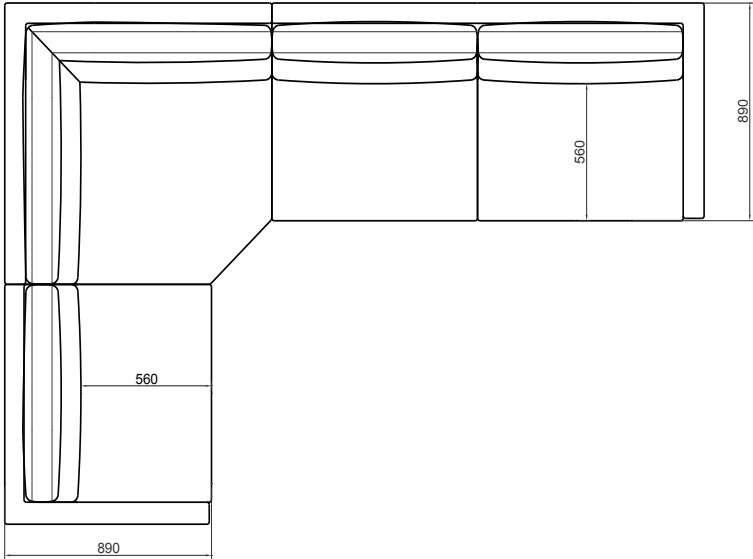
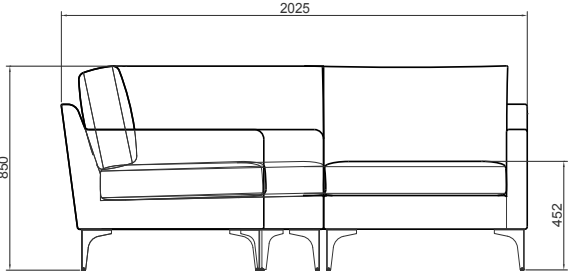
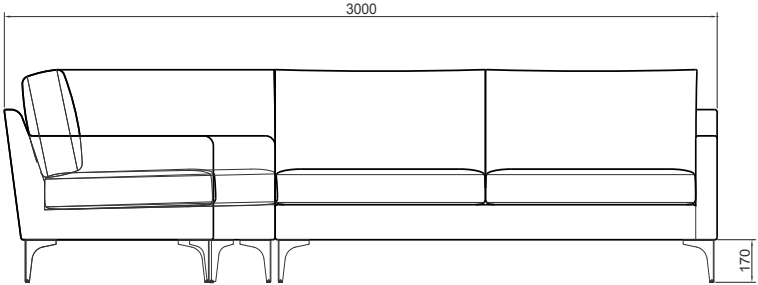
3-SEATER SOFA



BENCH



CORNER SOFA, LEFT



CORNER SOFA, RIGHT

